

CMXTVS5-4

Low Capacitance, Quad TVS/Diode Array in the SOT-26 package



SOT-26

Central Semiconductor's CMXTVS5-4 is a 4-line TVS/Diode array packaged in the SOT-26 surface mount case. With its low capacitance, this device was designed to protect four high speed data or transmission lines from over-voltage transients and ESD damage.

Features:

- Low capacitance
- Low clamping voltage
- Protects four I/O lines
- Protects supply voltage rail
- ESD protection: 8kV Contact; 15kV Air (IEC 61000-4-2: Level 4)

Applications:

- USB 2.0 power and data line protection
- HDMI interface
- Digital Video Interface (DVI)
- Ethernet ports

Benefits:

- Low idle power consumption
- Industry standard package
- Integrated solution saves board space

Literature

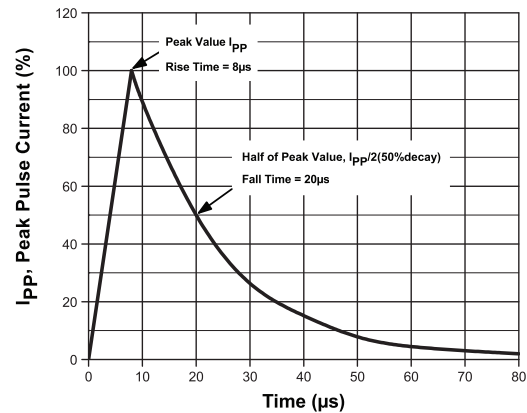


New SMD SELECTION GUIDE

Order your selection guide today.
Visit: web.centrasemi.com/search/sample.php

Typical Electrical Characteristics

8 x 20 μs Pulse Waveform



Samples



To order samples of this device visit:
www.centrasemi.com/info/CMXTVS5-4

weblink scan

Use QR reader for direct link to product web page.

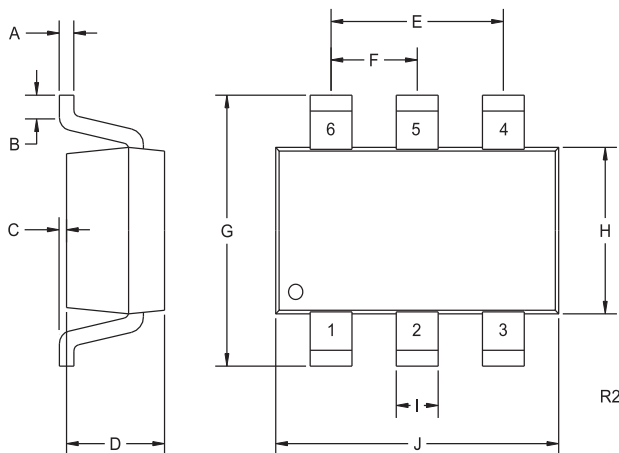


Maximum Ratings (T _A = 25 °C)			Electrical Characteristics: (T _A = 25 °C)								
V _I	V _{ESD} (Air)	T _J , T _{stg}	Reverse Stand-off Voltage V _{RWM}	Reverse Breakdown Voltage pin 5 to pin 2 I _R @ I _Z		Reverse Leakage Current pin 5 to pin 2 I _R @ V _{RWM}		Clamping Voltage 8x20μs I/O to pin 2 V _C @ I _{pp}		Off State Junction Capacitance I/O to GND (V _R =0, f=1.0MHz) C _J	Off State Junction Capacitance I/O to I/O (V _R =0, f=1.0MHz) C _J
MAX (V)	MAX (kV)	MAX (°C)	MAX (V)	MIN (V)	(mA)	MAX (μA)	(V)	MAX (V)	(A)	MAX (pF)	MAX (pF)
5.5	15	-55 to +150	5.0	6.0	1.0	5.0	5.0	12	1.0	1.2	0.6

CMXTVS5-4

Low Capacitance, Quad TVS/Diode Array in the SOT-26 package

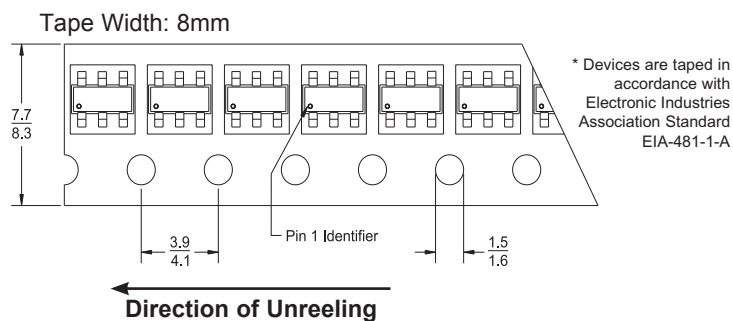
Mechanical Drawing - SOT-26



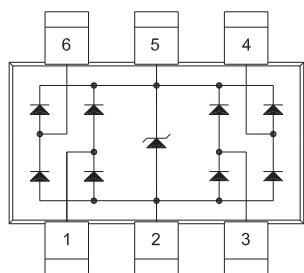
SYMBOL	INCHES		MILLIMETERS	
	MIN	MAX	MIN	MAX
A	0.004	0.007	0.11	0.19
B	0.016	-	0.40	-
C	-	0.004	-	0.10
D	0.039	0.047	1.00	1.20
E	0.074	0.075	1.88	1.92
F	0.037	0.038	0.93	0.97
G	0.102	0.118	2.60	3.00
H	0.059	0.067	1.50	1.70
I	0.016	-	0.41	-
J	0.110	0.118	2.80	3.00

SOT-26 (REV: R2)

Tape Dimensions and Orientation (Dimensions in mm)



Lead Code



- 1) I/O 1
- 2) Ground
- 3) I/O 2
- 4) I/O 3
- 5) Supply Voltage
- 6) I/O 4

MARKING CODE:
CTV4

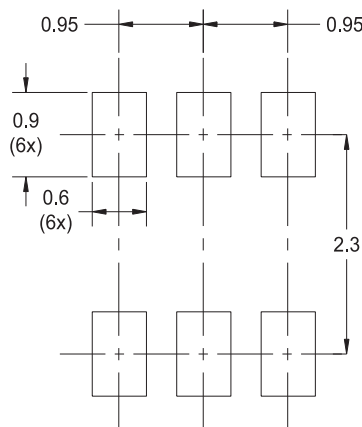
Packaging Base / Ordering Information

Reel Size	Quantity	Central Item No.
7"	3,000	CMXTVS5-4 TR

Reel Packing Information

Reel Size	Reels per Box (Maximum)	Parts per Box (Maximum)	Box Dimensions		Shipping Weight (Max.)	
			INCH	CM	LB	KG
7"	9	27,000	9x9x5	23x23x13	4	2
	18	54,000	9x9x9	23x23x23	7	4
	40	120,000	21x9x9	53x23x23	14	7
	108	324,000	27x9x17	69x23x43	39	18

Mounting Pad (Dimensions in mm)



Sample devices available upon request. To order samples of this device visit: www.centrasemi.com/info/CMXTVS5-4



**Innovative Discrete
Semiconductors**

For further information contact:
Sales at Central Semiconductor Corp.
(631) 435-1110 or visit:
www.centrasemi.com